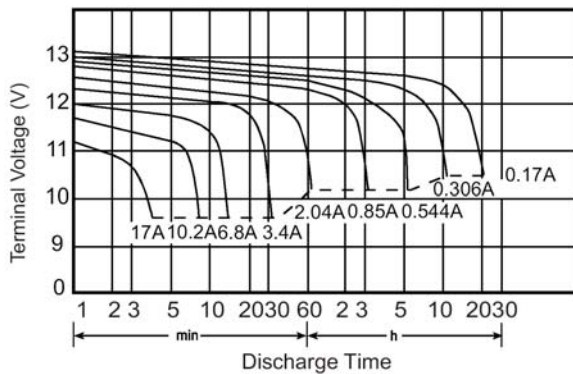


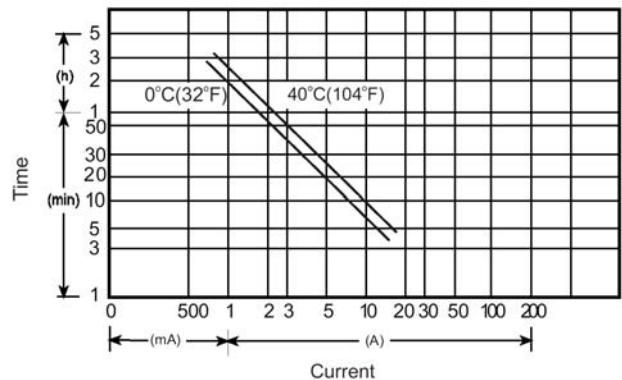
### PERFORMANCE SPECIFICATION FOR BATTERY TYPE FG 20341

Nominal Voltage	12 Volts	
Nominal Capacity	at 20 hour rate 25°C	3.4 Ah
	5 hour @ 0.544 A	3.0 Ah
	1 hour @ 2.04 A	2.30 Ah
	1 C @ 3 A	1.5 Ah
Dimensions (mm)	Length=134, Width=67, Height=60, TH=67	
Approximate weight	1.41 Kg	
Internal Resistance (Fully charged battery)	45 mΩ @ 20°C	
Maximum discharge current in 5 seconds	34 A	
Recommended charging voltage (@20°C)	floating use: 13,5-13,8 V	cyclic use: 14.4-15.0 V
Thermal compensation factor	floating use: -18mV/°C	cyclic use: -30mV/°C
Maximum charging current	0.96 A	
Terminals	Faston 4.8	
Torques	NA	
Vibration Test		
- (2000 cycles/min, 2.55 mm excursion, 2 hrs)	No loss in capacity or performance	
Shelf life - % of nominal capacity at 20°C	1 Month	97%
	3 months	91%
	6 months	83%
Storage temperature	-20°C to 40°C	
Operative temperature range	Charge	0° C to 40°C
	Discharge	-20°C to 50°C
Case material	Acrylonitrile-Butadiene-Styrene, according to UL-94 HB	
Life expectancy (Stand-by)	5 years according to Eurobat standards	

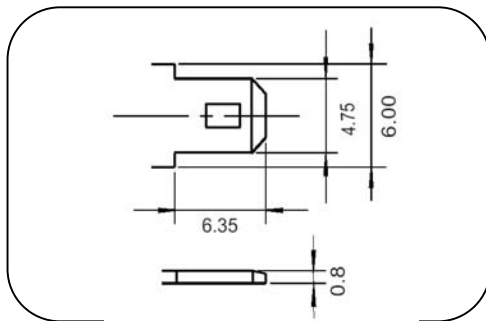
**DISCHARGE CHARACTERISTICS 20°C**



**DISCHARGE CURRENT VERSUS TIME**



**TERMINAL TYPE**



**DIMENSIONS**

