

HZB12-150FA Valve Regulated Lead Acid battery.
12 year design life for stand by power applications.
12 Volts 150 Ah

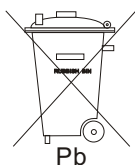
Features - Designed to meet the future needs of the Tele-communications industry for - mobile, wired, access, transmission, switching, integrated power applications etc. Resulting in the following benefits to the customer:

- Compactness
- ETSI / 19" / 23" Integration
- Modularity
- Rackable Standard component
- Long life
- Use under extreme conditions
- High power volume ratio
- Maintenance free utilising VRLA technology
- Low Installation costs
- Front Connections and terminal access
- Long Design Life - 12 years
- Rope handles on 100Ah upwards
- Central gassing system and hinged front covers on all models
- Integral flame arrestor
- Low Internal resistance
- Recyclable lead and plastics
- Designed to meet BELLCORE, BS6290 Pt4, IEC896-2 recommendations
- Utilising Gel technology
- Excellent Cycling ability
- Low self discharge rates
- Compression plate absorbs



Specifications

Nominal Voltage	12 Volts
Design Life	12 Years
Operating Temperature	-20 °C to 50 °C
Grid alloy	Calcium / Tin lead alloy
Plates	Flat Pasted
Separator	AGM - Absorbant Glass Mat
Active material	Very high purity lead
Case and cover	ABS (VO on request)
Charge Voltage	Float 2.27 - 2.30 VPC @25 °C Cycling 2.35 @25 °C Max. 2.4 VPC Max ripple 0.05C (A)
Electrolyte	Sulphuric acid Analytical grade purity
Venting Valve	EPDM Rubber 1.5 to 2 psi (10.5 - 14 KPa) release pressure. Resealing at 1 psi (7 KPa)
Terminal	Epoxy sealed by extended mechanical paths
Torque setting	The recommended torque value is 5-7 Nm
Connectors	Supplied as standard



Haze Battery Company keenly encourages environmental awareness; PLEASE follow guidelines for the recycling /disposal of lead.

Website: www.hazebattery.com
E mail : sales@hazebattery.com

Sealed Lead Acid 12 Volt Bloc AGM Range
PRODUCT SHEET HZB12-150FA

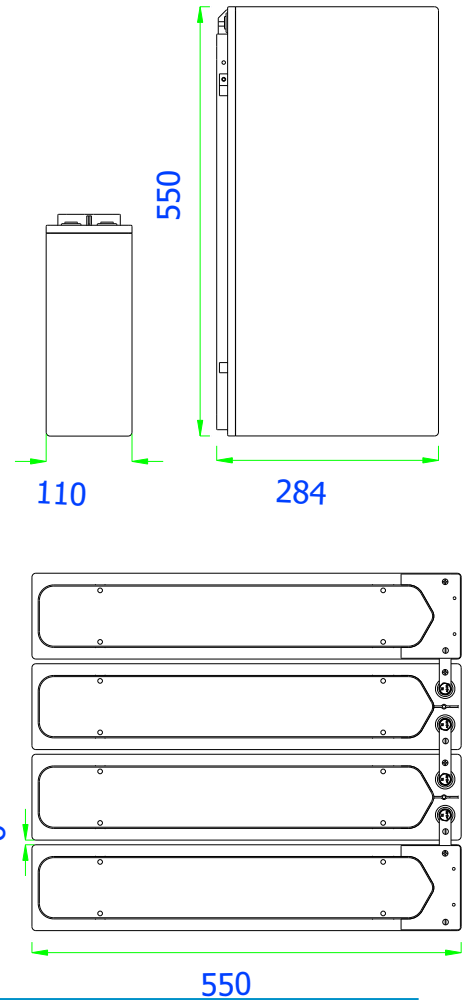
**12V
AGM**

Specifications

Nominal Voltage		12V	
Nominal Capacity		150 Ah	C10
Dimensions	Total Height	288 mm	11.34 inches
	(Inc. terminals)	n/a mm	n/a inches
	Length	550 mm	21.65 inches
	Width	109 mm	4.29 inches
	Weight	48.3 Kg	106.74 lbs

Characteristics

Capacity 20-25 °C (68-77 °F) To 1.7 volts	20 hour rate	167.8 Ah
	10 hour rate	162.7 Ah
	5 hour rate	159.8 Ah
	1 hour rate	106.9 Ah
	15 min rate	70.6 Ah
	Internal Resistance	3.2 mOhms
Capacity correction for Temperature Variations (C20)	40 °C (104 °F)	102%
	20 °C (68 °F)	100%
	0 °C (32 °F)	85%
	-15 °C (5 °F)	65%
Self-Discharge 20 °C (68 °F)	Capacity after 1 months storage	98%
	Capacity after 3 months storage	94%
	Capacity after 6 months storage	86%
Max Charge Current 20 °C (68 °F)	40	
Terminal	Standard	16mm Insert M6 thread
	Optional	
Charging (Constant Voltage)	Cyclic	2.40 VPC (15-25 °C)
	Float	2.27 - 2.30 VPC (15-25 °C)



Constant Power Discharge - Watts per Cell @ 20-25 °C

End V per Cell	5M	10M	15M	20M	25M	30M	35M	40M	45M	60M	90M	2 hr	3 hr	4 hr	5 hr	6 hr	7 hr	8 hr	10hr	12hr	20hr	24hr
1.95	-	-	-	-	-	-	-	-	140	129	100	83.5	62.4	50.4	43.4	38.0	34.0	30.5	25.9	22.3	14.2	12.0
1.90	-	-	-	-	-	-	-	-	180	154	116	95.0	70.7	56.9	48.6	42.3	37.8	33.9	28.5	24.5	15.4	13.0
1.85	595	484	417	366	323	290	264	242	222	179	129	103	75.2	59.9	50.9	44.0	39.0	34.8	29.1	24.9	15.7	13.2
1.80	680	548	460	393	343	307	277	253	232	185	134	107	77.9	62.5	52.7	45.7	40.3	36.0	30.1	25.8	16.4	13.8
1.75	732	575	478	404	353	313	283	258	237	189	137	109	79.3	63.2	53.4	46.2	40.8	36.4	30.4	26.0	16.5	13.9
1.70	779	596	492	415	360	320	288	262	240	191	138	110	80.0	63.7	53.9	46.6	41.1	36.8	30.6	26.2	16.6	14.0
1.65	802	613	502	421	365	323	290	265	242	193	139	111	80.6	64.2	-	-	-	-	-	-	-	-
1.60	849	632	511	426	369	326	292	267	244	194	140	112	81.3	64.6	-	-	-	-	-	-	-	-

Constant Amps Discharge - Amps @ 20-25 °C

End V per Cell	5M	10M	15M	20M	25M	30M	35M	40M	45M	60M	90M	2 hr	3 hr	4 hr	5 hr	6 hr	7 hr	8 hr	10hr	12hr	20hr	24hr
1.95	-	-	-	-	-	-	-	-	77.1	71.3	55.4	45.9	33.9	27.2	23.1	20.1	17.9	16.1	13.5	11.5	7.2	6.0
1.90	-	-	-	-	-	-	-	-	98.9	85.1	64.2	52.2	38.4	30.7	25.8	22.4	19.9	17.8	14.9	12.6	7.8	6.5
1.85	320	256	229	200	177	159	145	132	122	99	71.3	56.7	40.9	32.3	27.0	23.3	20.6	18.3	15.2	12.8	7.91	6.62
1.80	375	309	264	226	195	174	156	142	130	104	74.0	58.5	42.3	33.4	27.9	24.1	21.2	18.9	15.6	13.2	8.19	6.89
1.75	404	324	274	233	201	179	160	145	133	106	75.0	59.2	43.0	34.0	28.4	24.5	21.5	19.1	15.8	13.4	8.30	6.95
1.70	434	338	282	240	205	182	162	148	135	107	75.7	60.0	43.3	34.2	28.6	24.7	21.7	19.3	16.0	13.6	8.39	7.03
1.65	449	346	288	242	208	185	164	149	136	108	76.3	60.5	43.6	34.4	-	-	-	-	-	-	-	-
1.60	477	360	295	247	212	186	166	150	137	109	77.3	61.0	43.9	34.6	-	-	-	-	-	-	-	-

Ampere Hour @ 20-25 °C

End V per Cell	2 hr	3 hr	4 hr	5 hr	6 hr	7 hr	8 hr	10hr	12hr	20hr	24hr
1.85	113.5	123	129	135	140	144	147	152	154	158	159
1.80	117	127	134	139	144	149	151	156	158	164	165
1.75	118	129	136	142	147	151	153	158	161	166	167
1.70	120	130	137	143	148	152	154	160	163	168	169
1.65	121	131	138	-	-	-	-	-	-	-	-
1.60	122	132	138	-	-	-	-	-	-	-	-



250706