



**VALVE REGULATED
LEAD ACID BATTERY (V.R.L.A.)**



**ADVANCED ABSORBED GLASS
MAT TECHNOLOGY (A.G.M.)**



**10 YEAR DESIGN FOR UPS AND
STANDBY APPLICATIONS**



Features

- Flame-retardant polypropylene case and cover compliant with UL94 V-0 with an Oxygen Limiting Index of greater than 28%.
- Gas recombination greater than 99%.
- Operates at a low internal pressure.
- Never needs watering, minimal maintenance.
- 99.7% pure lead, calcium alloy grids.
- Shock absorbent thick wall polypropylene cases.
- Cold forged non-porous terminal bushings, eliminate post leakage.
- Thermally welded case to cover bond, eliminates both acid and electrical leaks.
- Over-sized, through the partition inter-cell welds provide low resistance connections, with minimal power loss.
- Flame arresting, low pressure safety release venting system for individual cells, recognized per U.L.924.
- Compliant with BS6290 Part 4 and IEC 896-2.
- Measured high vacuum acid fill, reduces electrical variability between cells.
- 100% recyclable materials.

Options

- Terminal covers.
- Inter-connecting battery cables.
- Warranty extensions.
- Open, Cladded Rack and Cabinet options.

Specifications

| | |
|--------------------------------------|--|
| Cells per unit | 6 |
| Nominal voltage | 12 |
| Terminal type | Threaded copper insert |
| Short circuit current | 3209 amps |
| Impedance @ 77°F 25°C | 4.30 milliohms |
| Weight lbs / kgs | 60.6 / 27.5 |
| Electrolyte (S.G.) | 1.300 |
| Capacity @ 77°F (25°C) | 68 AH (8 hrs) to 1.75 V.P.C. |
| Ideal operating temperature range | +68°F (+20°C) to +77°F (+25°C) |
| Extended operating temperature range | Discharge: -40°F (-40°C) to +140°F (+60°C) Charge: -4°F (-20°C) to +122°F (+50°C) |
| Float Voltage | 13.5 to 13.8 @ 77°F (25°C) |
| Recommended maximum charging current | C/4 amperes at 100% discharge Unlimited at partial discharge. |
| AC ripple from charging source | 1.5% peak to peak of float |
| Storage period without recharge | 6 months at 77°F (25°C) |

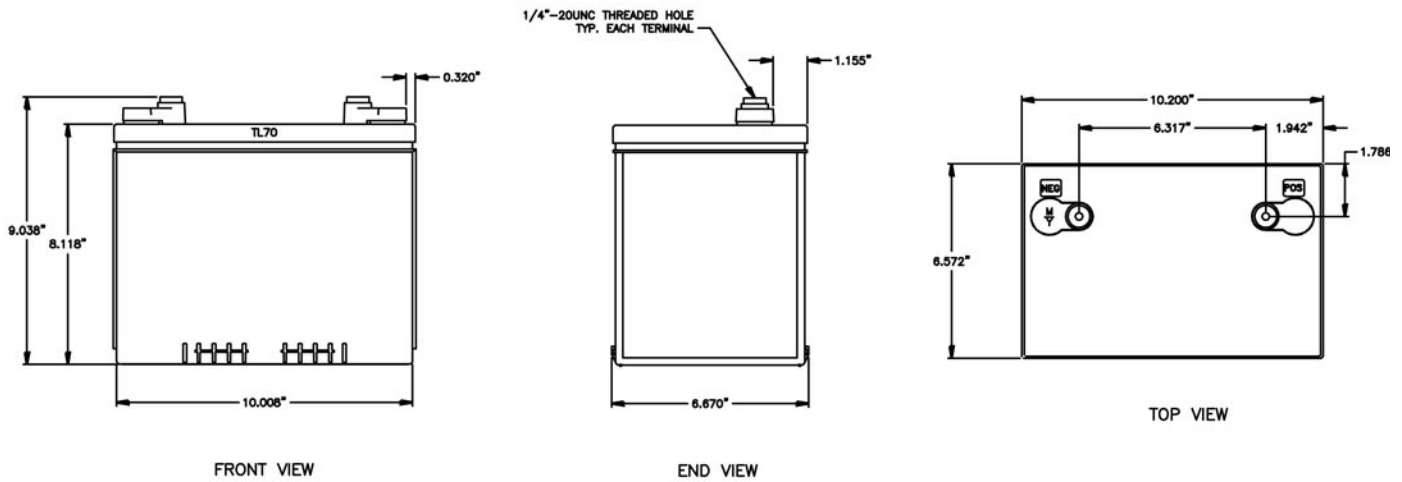
No transport restrictions

- Surface transport. Classified as non-hazardous material as relates to DOT-CFR Title 49 part 171-189.
- Maritime transport. Non hazardous as per IMDG amendment 27.
- Air transport. Non hazardous complies with IATA / ICAQ, special provision A67.

DISCHARGE SPECIFICATIONS

Constant power ratings, Watts per battery @ 77°F (25°C) in minutes

| Final V.P.C. | 5 | 10 | 15 | 20 | 30 | 40 | 45 | 50 | 60 | 90 |
|--------------|------|------|------|------|------|-----|-----|-----|-----|-----|
| 1.60 | 3007 | 2230 | 1721 | 1408 | 1043 | 837 | 771 | 705 | 574 | 418 |
| 1.67 | 2904 | 2188 | 1701 | 1395 | 1036 | 831 | 766 | 702 | 571 | 417 |
| 1.70 | 2860 | 2172 | 1691 | 1387 | 1031 | 829 | 765 | 701 | 570 | 414 |
| 1.75 | 2711 | 2045 | 1630 | 1360 | 1022 | 822 | 758 | 694 | 565 | 413 |



Power Battery offers an extensive line of pre-wired and fused battery cabinets. Standard and custom DC voltages complete with breakers and chargers are available.



KS3 Cabinet Model



Open Rack



Cladded Rack

Constant current ratings, Amperes @ 77°F (25°C) in hours

| Final V.P.C. | 1 | 2 | 3 | 4 | 5 | 6 | 8 | 10 | 12 | 24 |
|--------------|------|------|------|------|------|------|------|------|------|------|
| 1.75 | 47.6 | 27.7 | 20.1 | 15.8 | 13.0 | 11.1 | 8.58 | 7.00 | 5.98 | 3.22 |
| 1.80 | 46.9 | 27.5 | 19.9 | 15.5 | 12.8 | 10.9 | 8.48 | 6.96 | 5.92 | 3.18 |
| 1.85 | 45.1 | 26.6 | 19.2 | 15.0 | 12.4 | 10.6 | 8.20 | 6.73 | 5.72 | 3.07 |
| 1.90 | 41.5 | 24.9 | 18.1 | 14.2 | 11.7 | 9.90 | 7.66 | 6.21 | 5.23 | 2.84 |

U.S.A.
Power Battery Company, Inc.
25 McLean Blvd.
Paterson, N.J. 07514-1507
Phone: (973) 523-8630
Fax: (973) 523-3023
E-mail: sales@powbat.com
Web page: www.powerbattery.com

CANADA
Power Battery (Iberville) Ltd.
770 Thomas Ave.
Iberville, Québec, J2X 5E7
Phone: (450) 346-3273
Fax: (450) 346-8003
E-mail: powerbat@sympatico.ca
Web page: www.powerbattery.com

UK
Power Batteries Ltd.
Premier Way, Abbey Park Industrial Estate
Romsey, Hampshire, SO51 9AQ
Phone: +44 (0)1794 835900
Fax: +44 (0)1794 835910
E-mail: sales@powbat.co.uk
Web page: www.powbat.co.uk

ITALY
Power Battery Srl
Via Locatelli 105
20046 Biassono MI - ITALY
Phone: +(39) 039 2324571
Fax: +(39) 349 2499200
E-mail: calberti@powbat.it
Web page: www.powbat.it