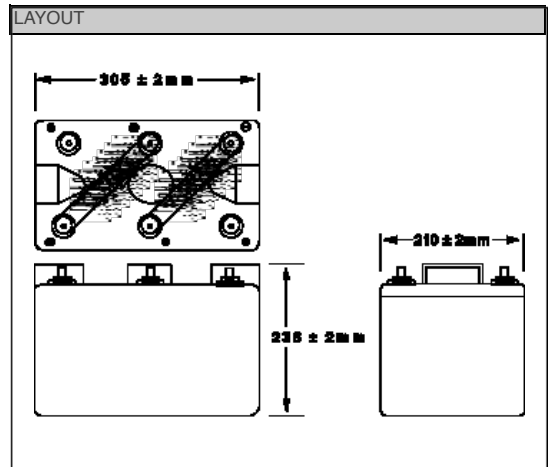


EN-Series - Valve Regulated Lead Acid Battery

EN160-6

SPECIFICATIONS		
Nominal voltage	6	V
10-hr rate Capacity to 10.8V at 20°C	163	Ah
10-min rate Constant Power to 1.6V/cell at 20°C	672	Watts
DIMENSIONS		
Length	305 (±1)	mm
Width	210 (±1)	mm
Height	240 (±1)	mm
(height over terminals)	N/A	mm
Mass (typical)	35.0	kg
TERMINAL TYPE		
Threaded terminal - (M=Male or F=Female)	M8 (F)	mm
Torque	6 (±0.5)	Nm
OPERATING TEMPERATURE RANGE		
Storage (in fully charged condition)	-20°C to +50°C	
Charge	-15°C to +50°C	
Discharge	-20°C to +60°C	
STORAGE		
Capacity loss per month at 20°C (approx)	3	%
CASE MATERIAL		
Flame retardant	ABS (UL94:V0)	
CHARGE VOLTAGE		
Float charge voltage at 20°C	6.78 (±1%)	V
	2.26 (±1%)	V/cell
Float Charge voltage temperature correction factor (for variations from the standard 20°C)	-3	mV/cell/°C
Boost charge at 20°C	7.2 (±2%)	V
	2.40 (±2%)	V/cell
Boost Charge voltage temperature correction factor (for variations from the standard 20°C)	-4	mV/cell/°C
CHARGE CURRENT		
Float charge current limit	No limit	A
Boost charge current limit	40.75	A
MAXIMUM DISCHARGE CURRENT		
1 second	1500	A
1 minute	960	A
SHORT-CIRCUIT CURRENT & INTERNAL RESISTANCE (according to EN IEC 60896-21)		
Internal resistance	2.15	mΩ
Short-Circuit current	3235	A
IMPEDANCE		
Measured at 1 kHz	1.7	mΩ
PERFORMANCE & CHARACTERISTICS		
Refer to the technical manual	EN	
DESIGN LIFE		
EUROBAT Classification: High Performance	-	
EUROBAT Classification: Long Life	12+	years
Yuasa design life @ 20°C	12	years
SAFETY		
Installation		
Can be installed and operated in any orientation except permanently inverted		
Handles		
Batteries must not be suspended by their handles (where fitted)		
Vent valves		
Each cell is fitted with a low pressure release valve to allow gasses to escape and then reseal.		
Gas Release		
VRLA Batteries release hydrogen gas which can form explosive mixtures in air. Do not place inside a sealed container		
Recycling		
YUASA's VRLA batteries must be recycled at the end of life in accordance with local and national laws and regulations		



3RD PARTY CERTIFICATIONS

ISO 9001 - Quality Management Systems
 ISO 14001 - Environmental Management Systems
 EN 18001 - OHSAS Management Systems
 UNDERWRITERS LABORATORIES Inc.



STANDARDS

IEC61056
 IEC60896-21/22



ALL DATA IS SUBJECT TO CHANGE WITHOUT NOTICE
 Issue No.: V.2 / Issue Date: March 2011



YUASA BATTERY SALES UK
 LTD.
 Unit 13, Hunts Rise
 South Marston Industrial
 Estate
 SN3 4TG
 UK